

# S5N



## EXTENDED RANGE OF STANDARD “ONE FOR ALL” PHOTOELECTRIC TUBULAR M18 SENSORS

- All optic functions
- Improved EMI immunity
- Improved ambient light immunity
- Improved laser safety level
- M18 flat plastic with universal mounting
- Short plastic housing models
- Available in M18 metal housing
- Stainless steel housing models
- Axial or radial optics, cable or connector
- Standard 4-wire NO-NC NPN or PNP output
- M12 pigtail models available
- IO-Link connectivity V1.1 with double channel



### APPLICATIONS

- Processing and Packaging machinery
- Conveyor lines, material handling
- Ceramics intralogistics
- Automated warehousing

(\*) Stainless steel models. ATEX II 3DG

S5N		
<b>Through beam</b>		0...25 m (S5N-PP/NN; S5N-Px/Mx...PK/NK models) 0...20 m (S5N-SA/NA models) 0...60 m (class 1 LASER S5N...PP/NN models)
<b>Retroreflective (on R2 reflector)</b>		0,1...4 m (S5N-PP/NN; S5N-Px/Mx...PK/NK models)
<b>Polarized retroreflective (on R2 reflector)</b>		0,1...3m (S5N-Px/Mx...PK/NK models) 0,1...4 m (S5N...PP/NN; S5N-SA/NA models) 0,1...16 m (class 1 LASER S5N...PP/NN models)
<b>Retroreflective for transparent (on R2 reflector)</b>		0,1...0,8 m (S5N-SA/NA) 0,1...1,3 m (S5N...PP/NN models)
<b>Diffuse proximity</b>		short distance 0...100 mm (all models) medium distance 0...400 mm (S5N...PP/NN models) medium distance 0...350 (S5N-SA/NA models) medium distance 0...450 (S5N-Px/Mx...PK/NK models) long distance 0...700 mm (S5N...PP/NN models) long distance Laser 0...350 mm (S5N...PP/NN models)
<b>Fixed focus</b>		50 mm (S5N-SA/NA models) 100 mm (S5N...PP/NN models)
<b>Background suppression</b>		40...120 mm (S5N-SA/NA models) 50...150 mm (S5N...PP/NN models)
<b>Through beam with fiber optic</b>		0...100 mm (S5N...PP/NN models)
<b>Diffuse proximity with fiber optic</b>		0...30 mm (S5N...PP/NN models)
<b>Contrast sensor</b>		10 ±2 mm (S5N...PP/NN models)
<b>Luminescence sensor</b>		0...20 mm (S5N...PP/NN models)
<b>Power supply</b>	Vdc	10...30 V
	Vac	
	Vac/dc	
<b>Output</b>	PNP	•
	NPN	•
	NPN/PNP	
	relay	
	other	IO-Link v 1.1
<b>Connection</b>	cable	•
	connector	•
	pig-tail	•
<b>Approximate dimensions (mm)</b>		M18 x (see mechanical drawings)
<b>Housing material</b>		PBT, Nickel plated Brass (S5N-PP/NN; S5N-Px/Mx...PK/NK models) ABS, AISI 316 L Stainless steel inox (S5N-SA/NA models)
<b>Mechanical protection</b>		IP67 (S5N-PP/NN; S5N-Px/Mx...PK/NK models) IP65 - IP67 - IP69K (S5N-SA/NA)

# TECHNICAL DATA

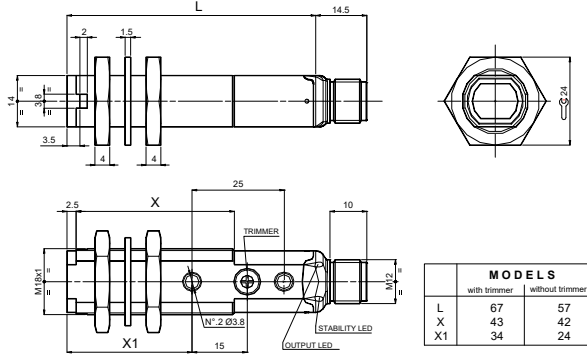
<b>Power supply</b>	10 ... 30 Vdc (limit values all models)
<b>Ripple</b>	2 Vpp max. (all models)
<b>Consumption (output current excluded)</b>	35 mA max. (all models)
<b>Light emission</b>	red LED 630 nm (mod. S5N...D00/E01, S5N-PA/MA...M03) red LED 660 nm (mod. S5N...B01...PP/NN/PK/NK; S5N...T01...PP/NN) - (mod. S5N-SA/NA...B/D/T/M) red LED 670 nm (mod. S5N-PS/MS...M03...PP/NN) IR LED 880 nm - (mod. S5N-Px/Mx...A00/C01/C10/C21/G00...PP/NN/PK/NK) - (mod. S5N-SA/NA...A/C/G) white LED 400-700 nm (mod. S5N...W03...PP/NN) UV LED 370 nm (mod. S5N...U03...PP/NN) red Laser 650 nm (mod. S5N-PH/PL...G00/B01/C01...PP/NN)
<b>Setting</b>	sensitivity trimmer 270° and without trimmer model (see mech drawings) 4 turns sensitivity trimmer (mod. S5N-Px/Mx...M01...PK/NK) teach-in push-button (mod. S5N...M03/W03/U03...PP/NN)
<b>Operating mode</b>	LIGHT mode on N.O. output / DARK mode on N.C. output (mod.S5N...C01/C10/C21/D00/M03/U03...PP/NN) DARK mode on N.O. output / LIGHT mode on N.C. output (mod.S5N...A00/B01/E01/F01/T01/W03...PP/NN) L/D input white wire or pin 2, if pin not connected on S5N-Px/Mx...PK/NK: LIGHT mode (mod. S5N-Px/Mx...C/D/M...PK/NK) DARK mode (mod. S5N-Px/Mx...A/B/T/F...PK/NK) white wire or pin 2 connected to: 0 V DARK mode, +Vcc LIGHT mode
<b>Indicators</b>	yellow OUTPUT LED (S5N, excl. mod. G00) green STABILITY LED (mod. S5N...B01/C01/C21/E01/F01/W03/U03), POWER LED (mod. S5N...G00) green/red READY/ERROR LED (mod. S5N...M03...PP/NN)
<b>Output</b>	PNP or NPN; NO; NC (mod. S5N...PP/NN) PNP or NPN (mod. S5N-Px/Mx...PK/NK) IO-Link v 1.1 (mod.S5N...OZ)
<b>IO-Link interface</b>	(mod.S5N...OZ) v 1.1, com 2, 38,4 kBAud, 32 bit process data, 5 ms cycle time LED emission model, 8 ms cycle time LASER emission model
<b>Output current</b>	100 mA max. (all models)
<b>Saturation voltage</b>	2 V max. (all models)
<b>Response time</b>	0,5 ms (mod. S5N...A00/B01/T01/C10/C21/C01/D00/E01/U03...PP/NN) - (mod. S5N-Px/Mx...D00...PK/NK) 2 ms (mod. S5N...F01/G00...PP/NN) - (mod. S5N-Px/Mx...F00...PK/NK) 1 ms (mod. S5N...M03...PP/NN) - (mod. S5N-Px/Mx...A/B/C/T/M...PK/NK) 100 µs (mod. S5N...W03...PP/NN) 333 µs (mod. S5N-PH/PL...PP/NN Laser emission models)
<b>Switching frequency</b>	1 kHz (mod. S5N...A00/B01/T01/C10/C21/C01/D00/E01/U03...PP/NN) - (mod. S5N-Px/Mx...D00...PK/NK) 250 Hz (mod. S5N...F01/G00...PP/NN) - (mod. S5N-Px/Mx...F00...PK/NK) 500 Hz (mod. S5N...M03...PP/NN) - (mod. S5N-Px/Mx...A/B/C/T/M...PK/NK) 100 µs (mod. S5N...W03...PP/NN) 333 µs (mod. S5N...PP/NN Laser emission models)
<b>Connection</b>	M12 4-pole connector, 2 m cable Ø 4 mm, 150 mm length Ø 4 mm cable with M12 4-pole connector
<b>Dielectric strength</b>	500 Vac, 1 min between electronics and housing
<b>Insulating resistance</b>	>20 MΩ, 500 Vdc between electronics and housing
<b>Electrical protection</b>	class 2
<b>Mechanical protection</b>	IP67 (S5N-PP/NN; S5N-Px/Mx...PK/NK models) IP65 - IP67 - IP69K (S5N-SA/NA)
<b>Ambient light rejection</b>	according to EN 60947-5-2
<b>Vibrations</b>	0,5 mm amplitude, 10 ... 55 Hz frequency, for every axis (EN60068-2-6)
<b>Shock resistance</b>	11 ms (30 G) 6 shock for every axis (EN60068-2-27)
<b>Housing material</b>	PBT, Nickel plated Brass (S5N-Px/Mx...PP/NN/PK/NK models) ABS, AISI 316 L Stainless steel inox (S5N-SA/NA models)
<b>Lens material</b>	PMMA (all models)
<b>Operating temperature</b>	-25 ... 55 °C (Laser mod.) -10 ... 50 °C
<b>Storage temperature</b>	-25 ... 70 °C
<b>Weight</b>	Plastic version 75 g max. cable vers. (90 g max. mod. M03), 25 g max. conn. vers. (40 g max. mod. M03) Metal version 110 g max. cable vers. (125 g max. mod. M03), 60 g max. conn. vers. (75 g max. mod. M03)

# DIMENSIONS

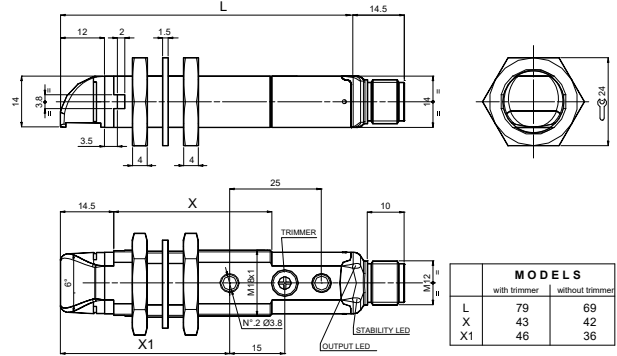
## S5N...NN/PP MODELS

### PLASTIC

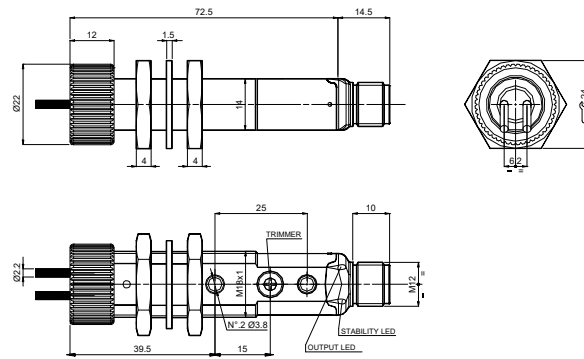
#### AXIAL VERSION



#### RADIAL VERSION

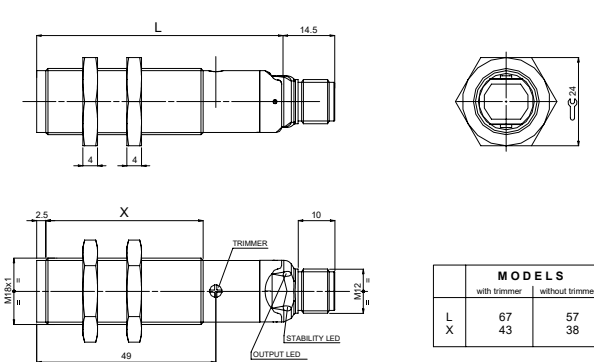


#### FIBRE OPTIC VERSION

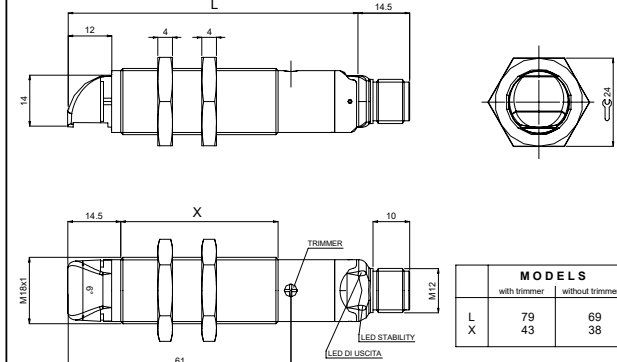


### METAL

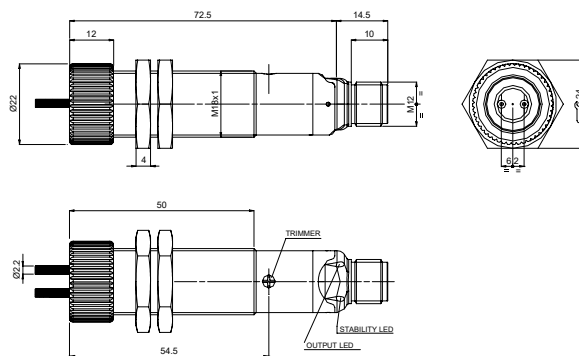
#### AXIAL VERSION



#### RADIAL VERSION

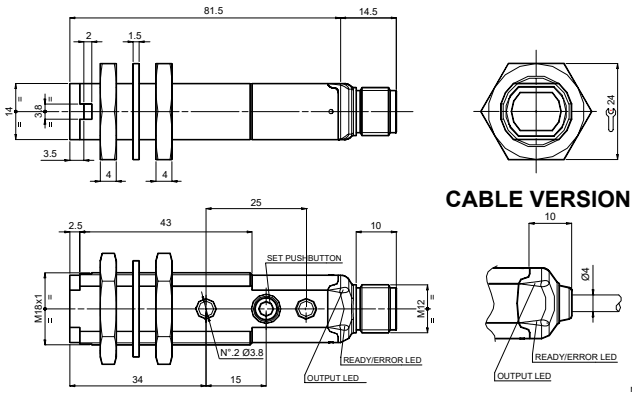


#### FIBRE OPTIC VERSION

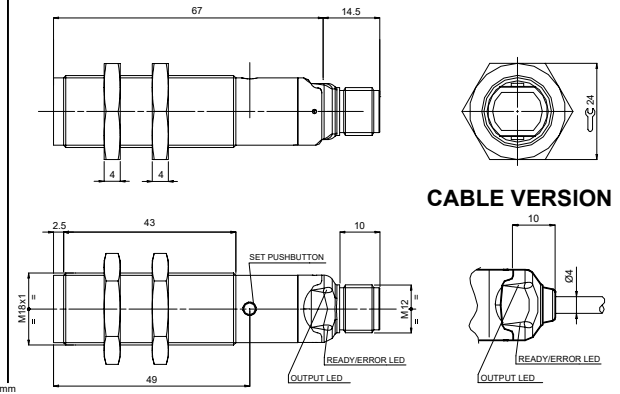


## BACKGROUND SUPPRESSION AXIAL VERSION

### PLASTIC

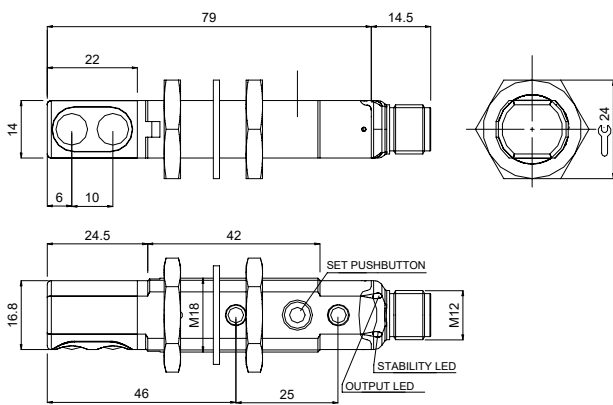


### METAL

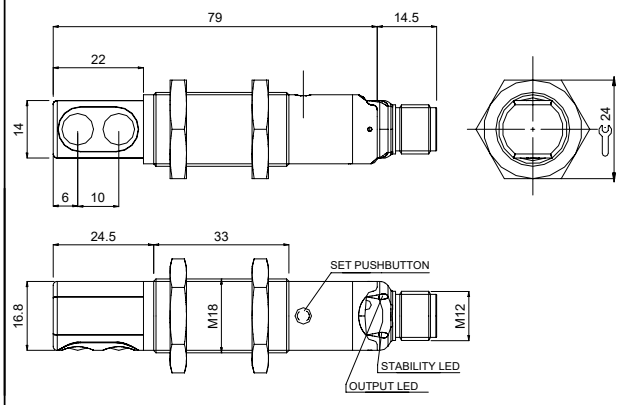


## BACKGROUND SUPPRESSION RADIAL VERSION

### PLASTIC

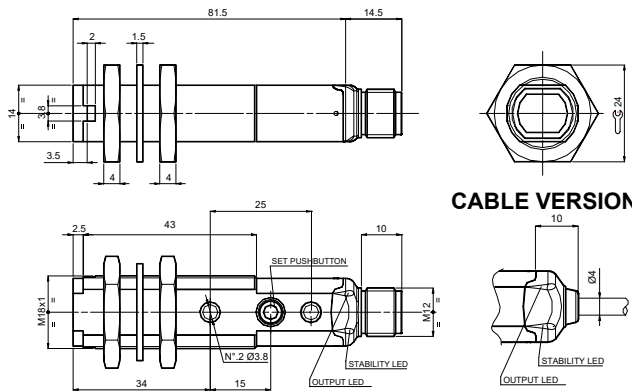


### METAL

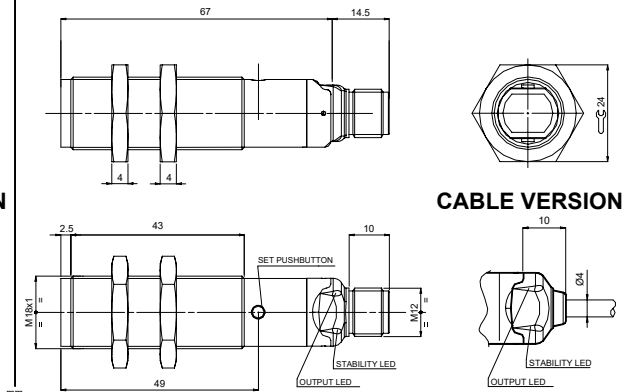


## LUMINESCENCE AND CONTRAST

### PLASTIC



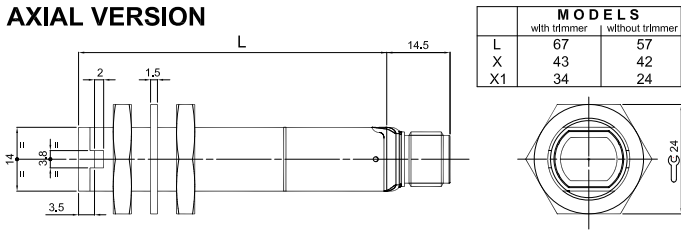
### METAL



# DIMENSIONS

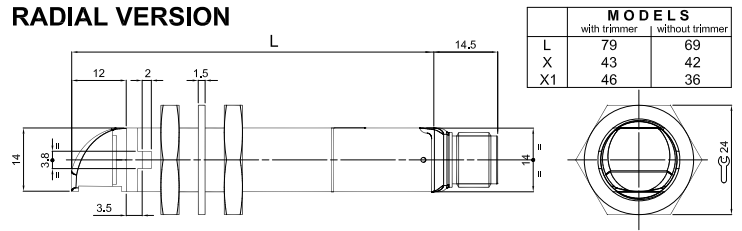
## S5N-Px/Mx...PK/NK MODELS

### AXIAL VERSION

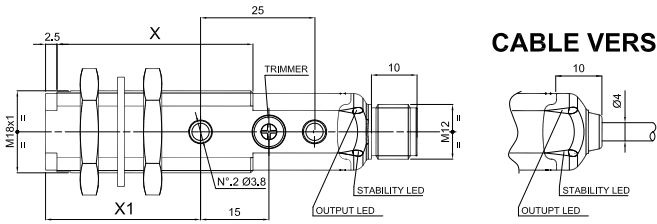


	MODELS	
	with trimmer	without trimmer
L	67	57
X	43	42
X1	34	24

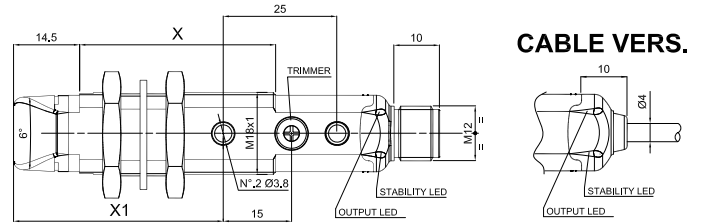
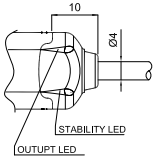
### RADIAL VERSION



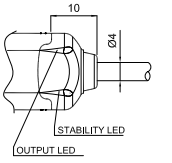
	MODELS	
	with trimmer	without trimmer
L	79	69
X	43	42
X1	46	36



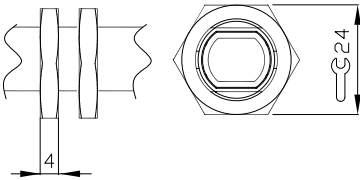
### CABLE VERS



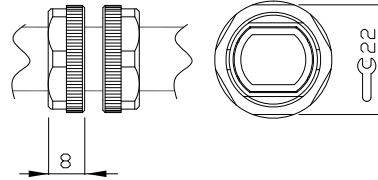
### CABLE VERS.



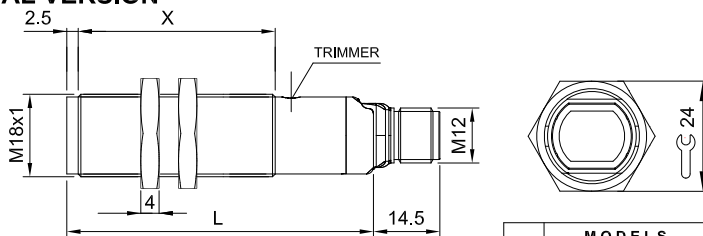
### CH.24 PLASTIC NUTS



### CH.22 PLASTIC NUTS

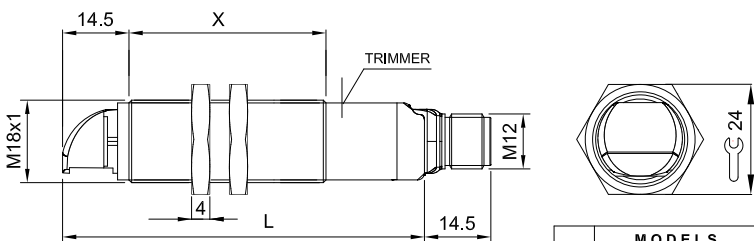


### AXIAL VERSION



	MODELS	
	B01/C01/F00	A00/C10/G00
L	67	57
X	43	38

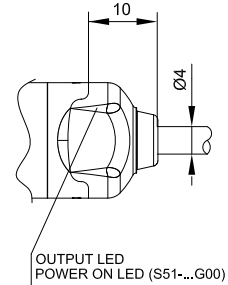
### RADIAL VERSION



	MODELS	
	B01/C01/F00	A00/C10/G00
L	79	69
X	43	38

mm

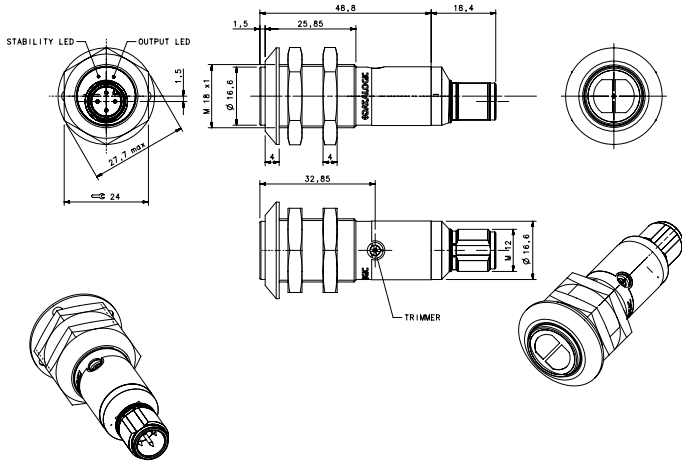
### CABLE VERSION



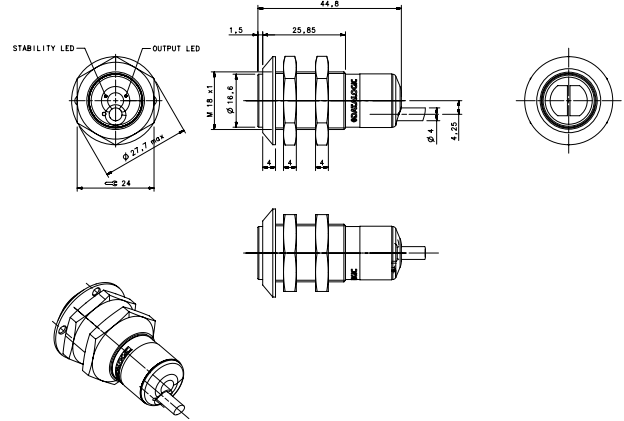
## S5N-SA MODELS

### PLASTIC

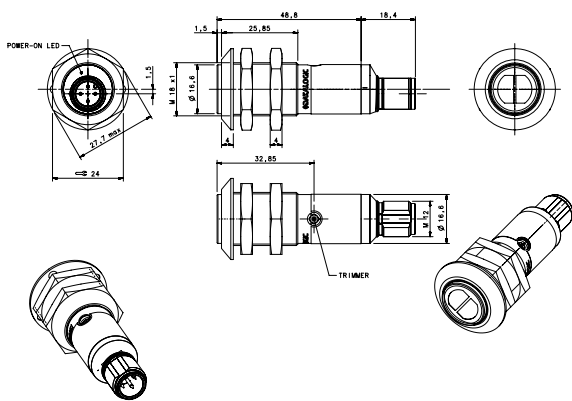
M12 connector version



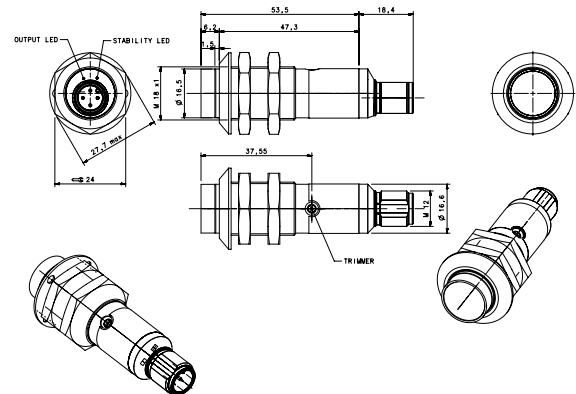
Cable version



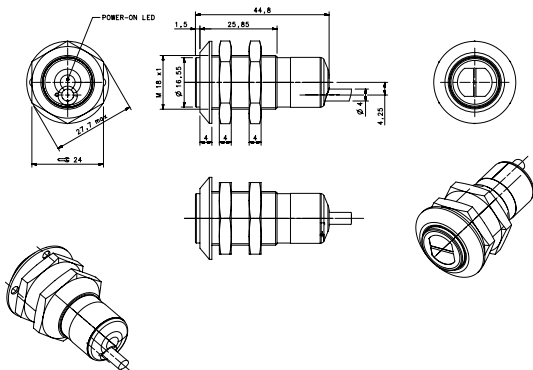
Through beam emitter - M12 connector version



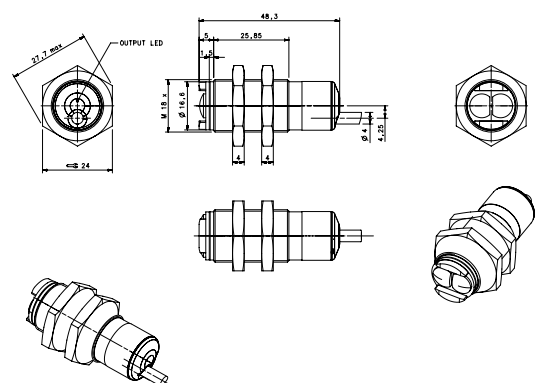
Background suppression - M12 connector version



Through beam emitter - cable version



Diffuse proximity - cable version

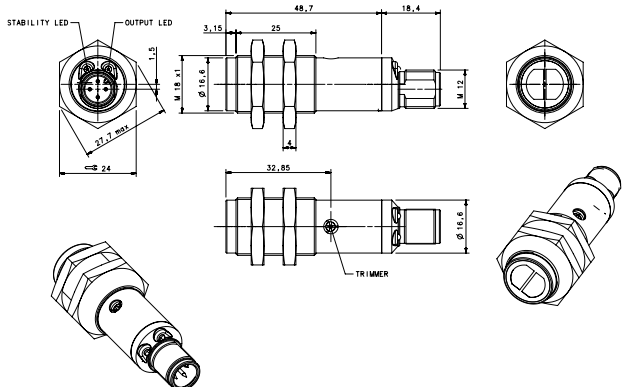


# DIMENSIONS

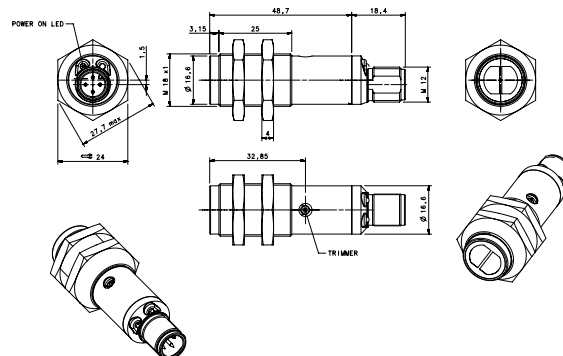
## S5N-NA MODELS

### STAINLESS STEEL

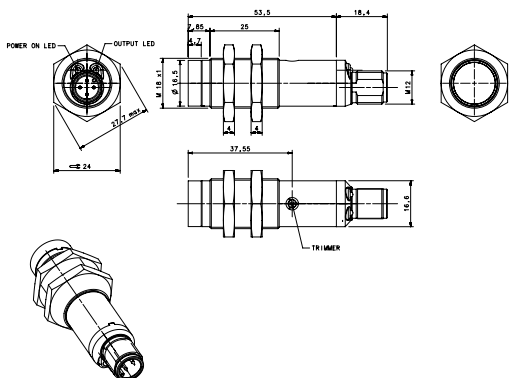
M12 connector version



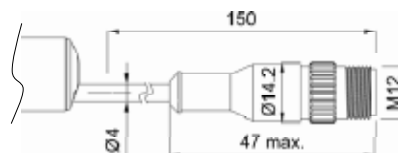
Through beam emitter - M12 connector version



Background suppression - M12 connector version



Pig-tail version

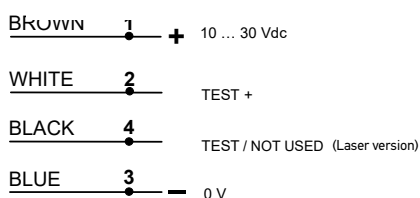
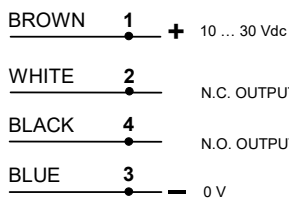


# CONNECTIONS

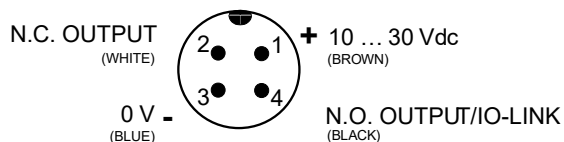
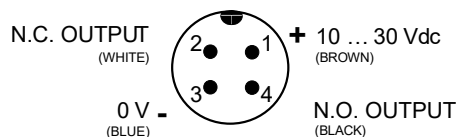
## S5N...PP/NN MODELS

### CABLE

Through beam emitter

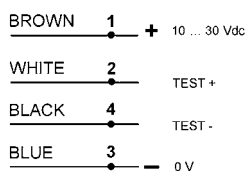


### M12 CONNECTOR

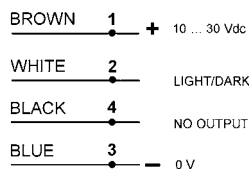


## S5N-Px/Mx...PK/NK MODELS

### G00 MODEL



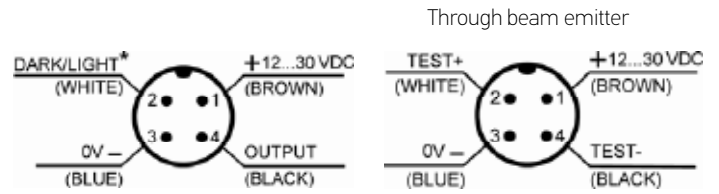
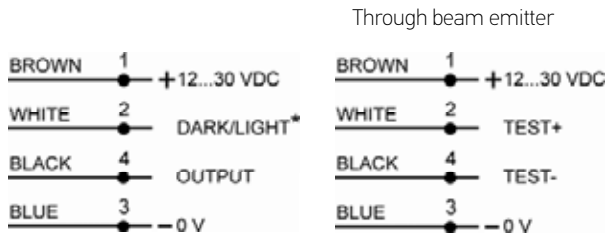
### A00/B01/C01/C10/C20/F00 MODELS



## S5N...NA/SA MODELS

Cable and Pig-tail

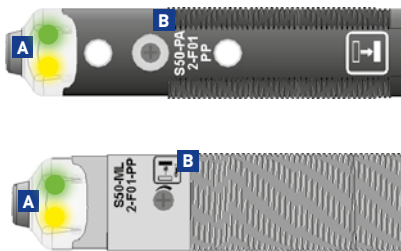
M12 connector



## INDICATORS AND SETTINGS

### S5N...PP/NN MODELS

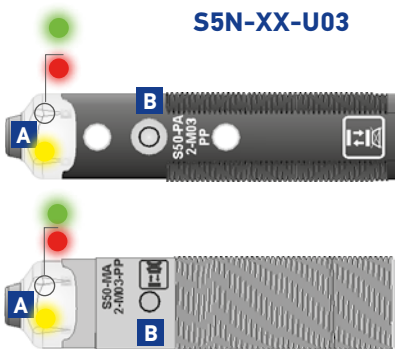
#### S5N-XX...A00/B01/C01/C21/E01/F01/T01



- A** OUTPUT status LED Yellow  
STABILITY LED Green (Only Receiver)  
POWER ON LED Green (Only Emitter)
- B** Adjustment trimmer (receiver)

Single-turn trimmer for sensitivity adjustment. Rotate in a clockwise direction to increase the operating distance.

#### S5N-XX-U03

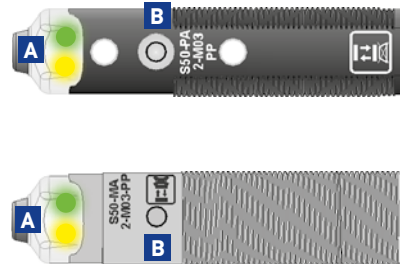


- A** OUTPUT status LED Yellow  
READY LED Green  
LED Red error
- B** Teach-in push-button

Teach-in button for setting.

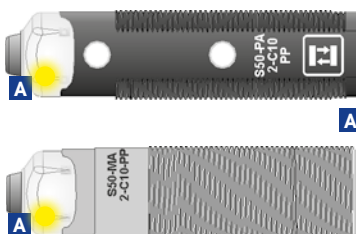
EASYtouch™ provides two setting modes: standard or fine, both obtained by pressing the push-button only once. Please refer to instructions manual for operating details.

#### S5N-XX-M03/W03



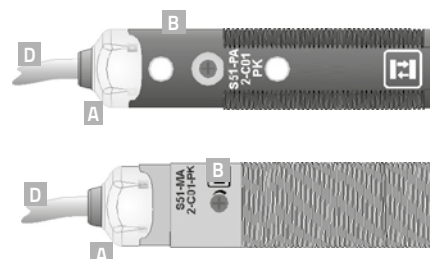
- A** OUTPUT status LED Yellow  
READY LED Green
- B** Teach-in push-button

#### S5N-XX-A00/C10/D00



- A00/C10  
**A** OUTPUT status LED Yellow
- G00  
OUTPUT status LED yellow (Only Emitter G00)

#### S5N-Px/Mx...PK/NK MODELS



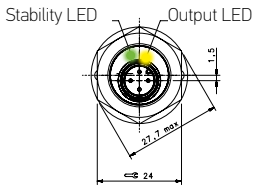
- A** OUTPUT status LED;  
POWER ON LED on G00 model
- B** Adjustment trimmer (B01, C01 models)
- C** M12 connector
- D** Cable connection

Trimmer for sensitivity adjustment. Rotate in a clockwise direction to increase the operating distance.

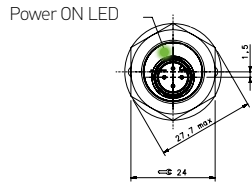


## S5N...SA/NA MODELS

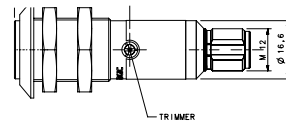
Plastic/metal case with trimmer, M12 connector



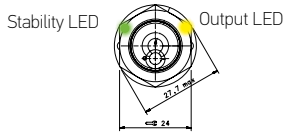
A01, B01, C11, C31, T01, F01, M01



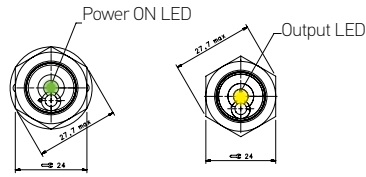
G01



Plastic, no trimmer, Cable, Pig Tail



A00, B00, C10, C00, T01, D50



G00

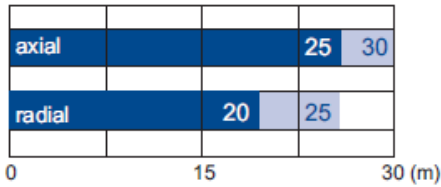
F00



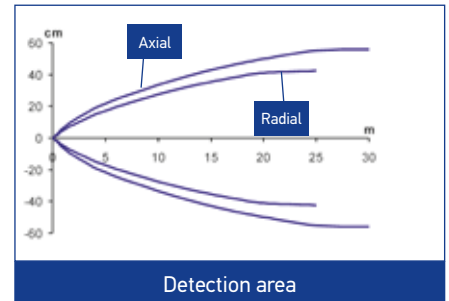
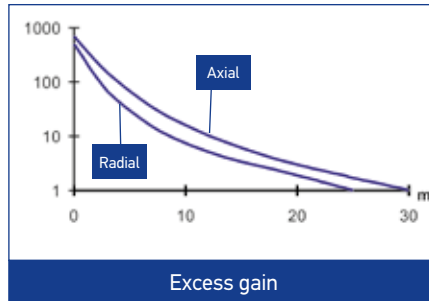
## DETECTION DIAGRAMS

### S5N...PP/NN MODELS

#### THROUGH BEAM (G/F) INFRARED EMISSION



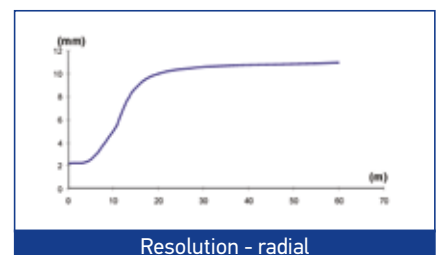
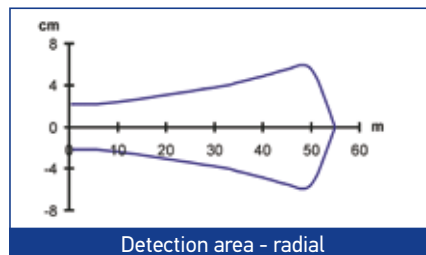
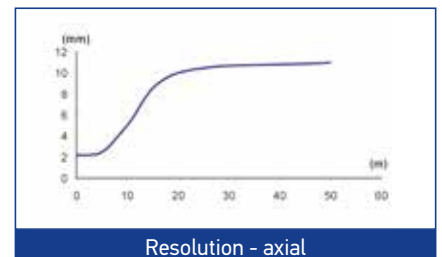
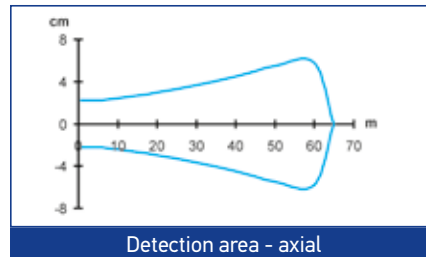
■ Recommended operating distance  
 ■ Maximum operating distance



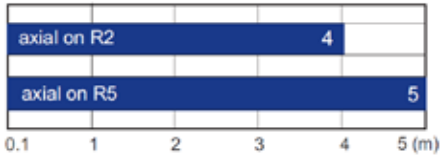
#### THROUGH BEAM (G/F) LASER RED EMISSION



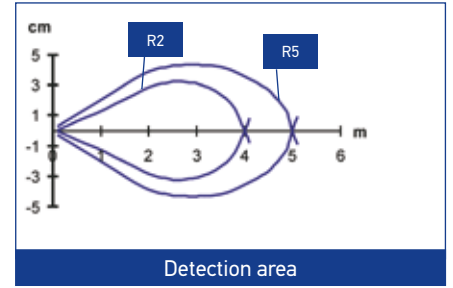
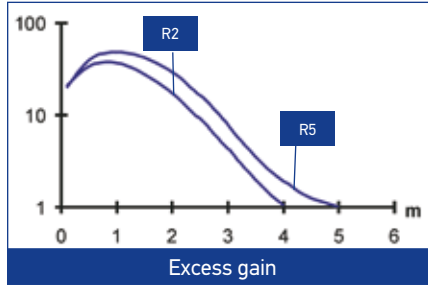
■ Operating distance



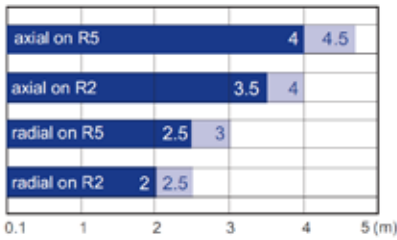
### RETROREFLECTIVE (A) INFRARED EMISSION



Operating distance

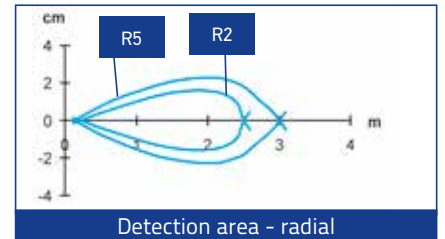
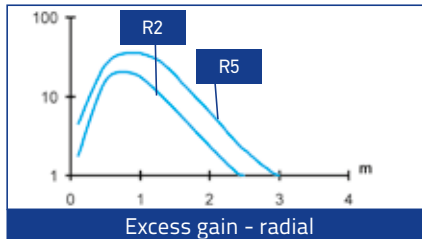
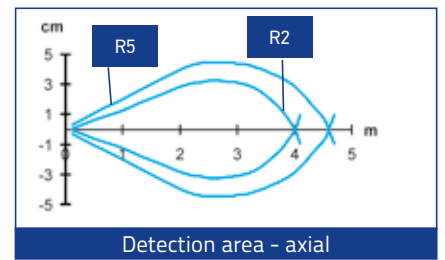
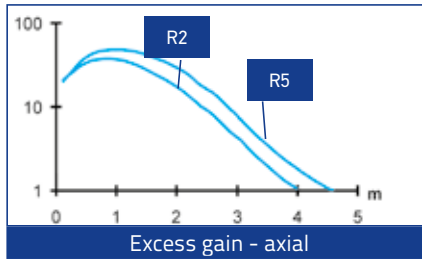


### RETROREFLECTIVE POLARIZED (B) RED EMISSION

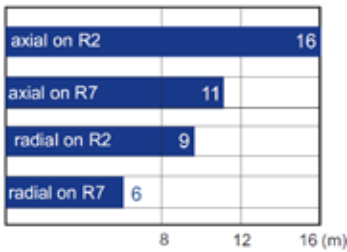


Recommended operating distance  
Maximum operating distance

High efficiency reflectors can be used to obtain larger operating distances. Refer to **Reflectors** (A.01).

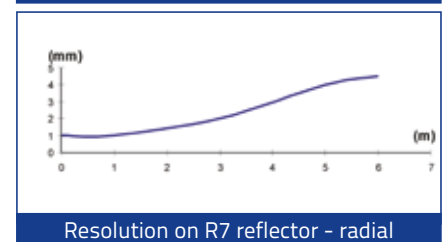
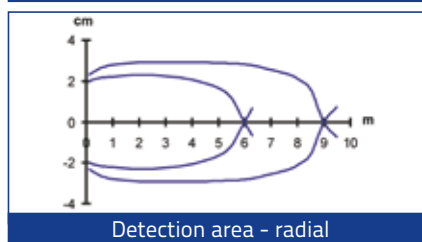
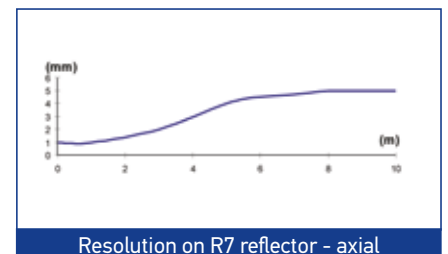
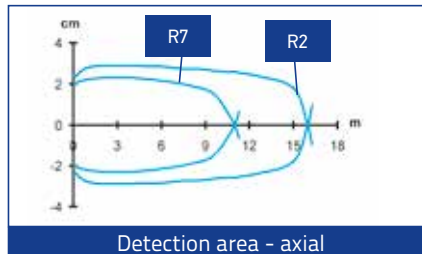


### RETROREFLECTIVE POLARIZED (B) LASER RED EMISSION

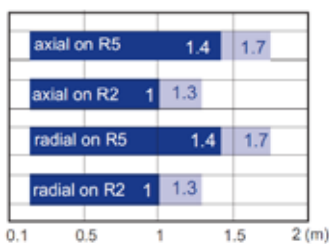


Operating distance

High efficiency reflectors can be used to obtain larger operating distances. Refer to **Reflectors** (A.01).

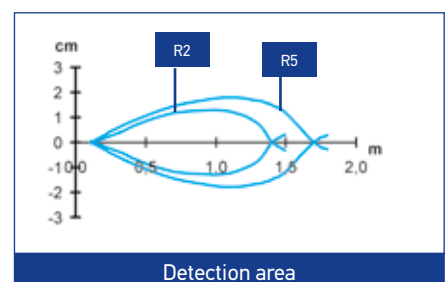
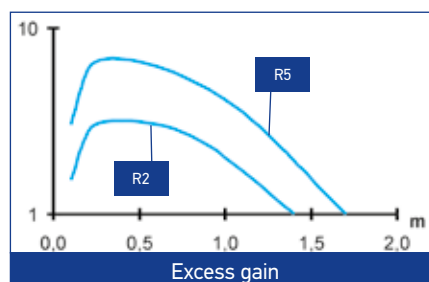


### RETROREFLECTIVE TRANSPARENT (T) RED EMISSION



Recommended operating distance  
Maximum operating distance

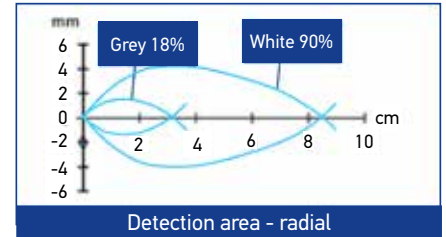
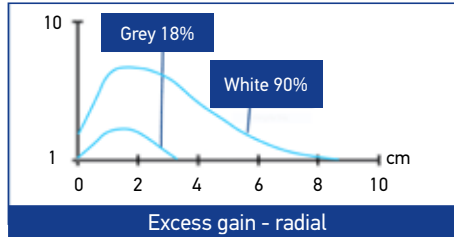
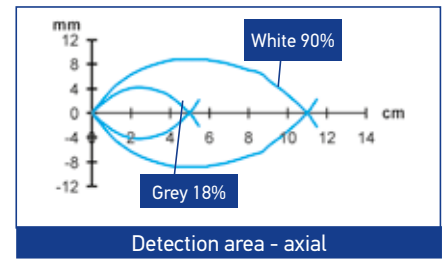
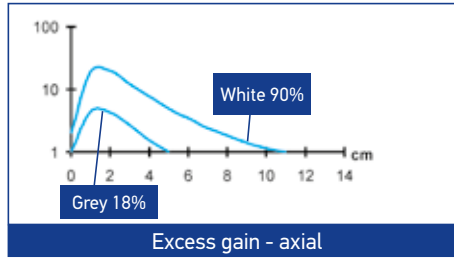
High efficiency reflectors can be used to obtain larger operating distances. Refer to **Reflectors**.



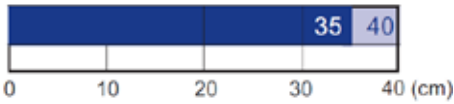
## ENERGETIC DIFFUSED (C) SHORT INFRARED EMISSION



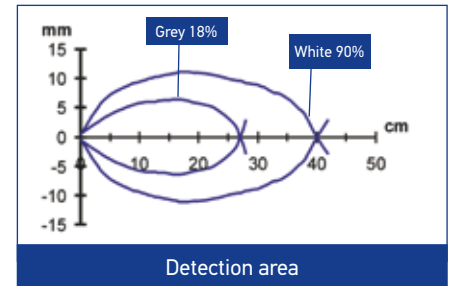
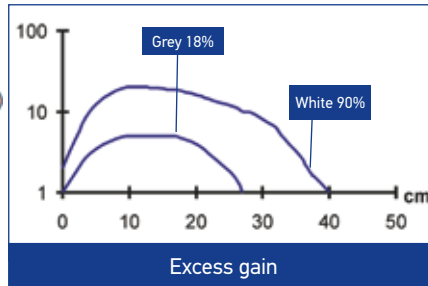
  Recommended operating distance  
  Maximum operating distance



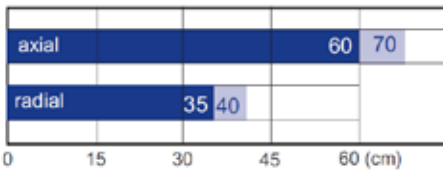
## ENERGETIC DIFFUSED (C) MID INFRARED EMISSION



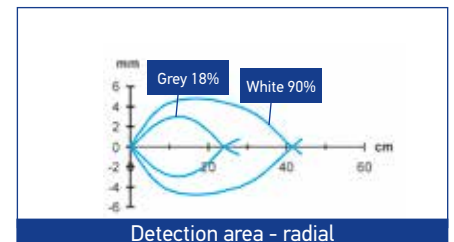
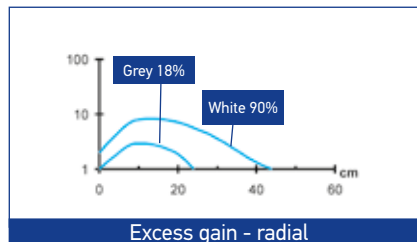
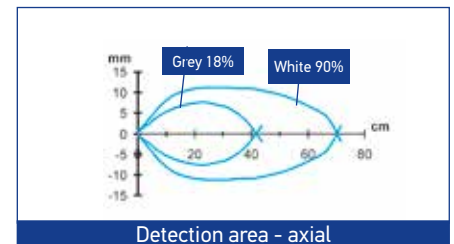
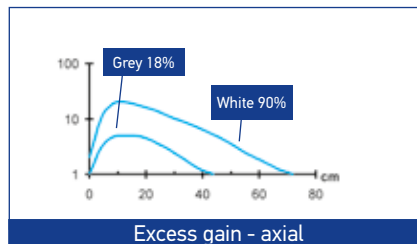
  Recommended operating distance  
  Maximum operating distance



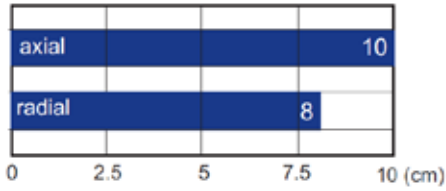
## ENERGETIC DIFFUSED (C) LONG INFRARED EMISSION



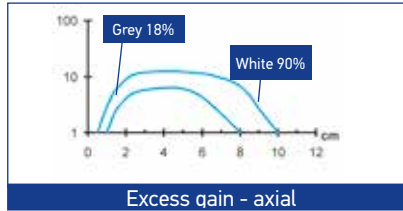
  Recommended operating distance  
  Maximum operating distance



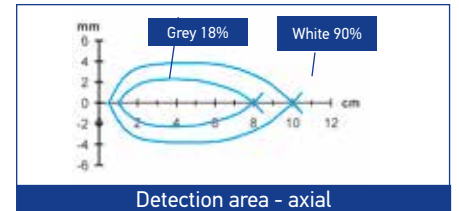
## FIXED FOCUS (D) RED EMISSION



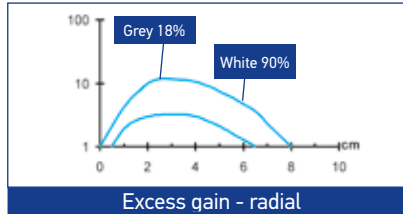
Operating distance



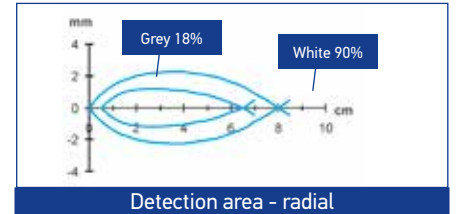
Excess gain - axial



Detection area - axial

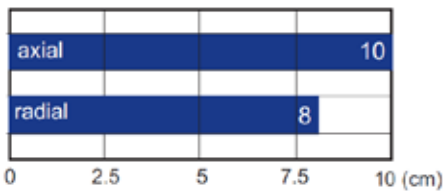


Excess gain - radial

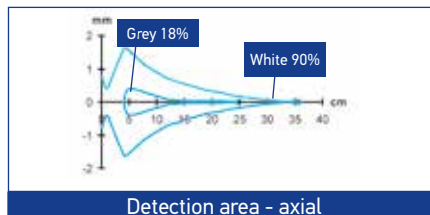


Detection area - radial

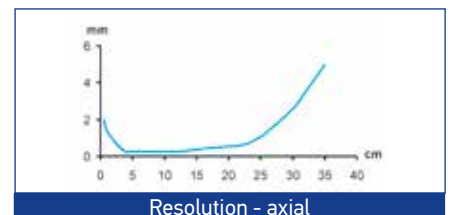
## DIFFUSED (C) LASER RED EMISSION



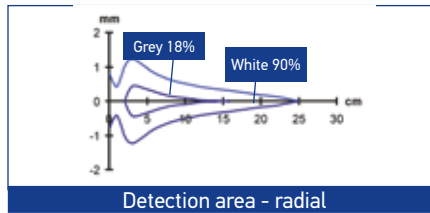
Operating distance



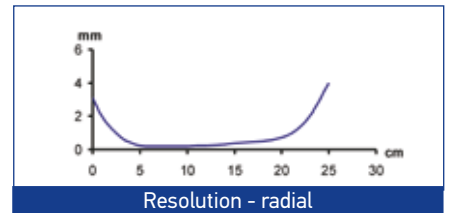
Detection area - axial



Resolution - axial

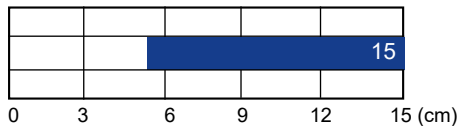


Detection area - radial

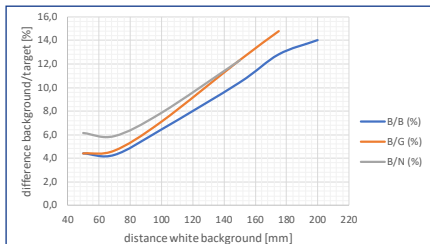


Resolution - radial

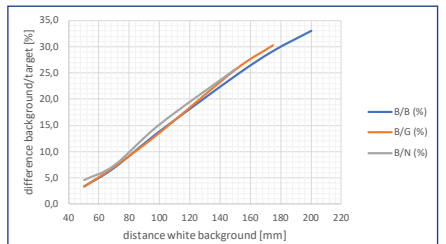
## BACKGROUND SUPPRESSOR (M) AXIAL RED EMISSION



Operating distance

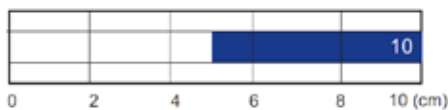


Detection difference with EASYtouch™ acquisition

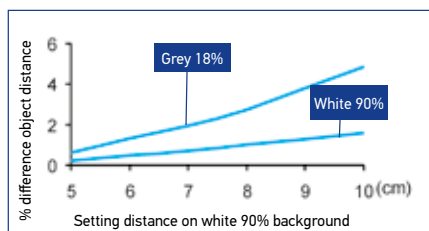


Detection difference with EASYtouch™ fine acquisition

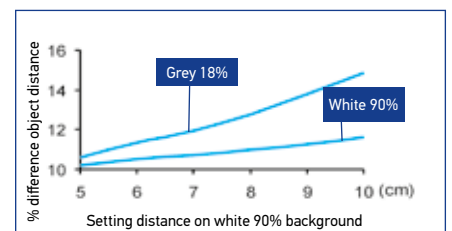
## BACKGROUND SUPPRESSOR (M) RADIAL RED EMISSION



Operating distance

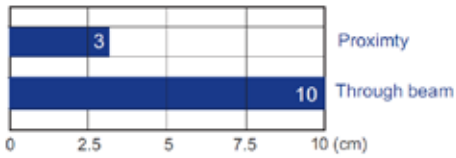


Detection difference with EASYtouch™ acquisition



Detection difference with fine acquisition

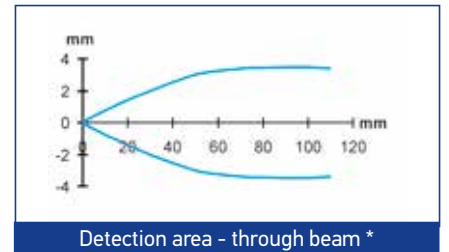
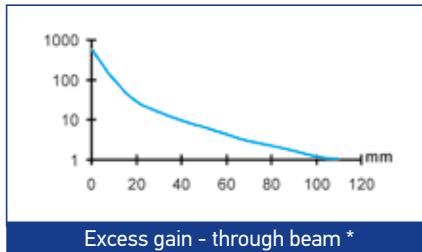
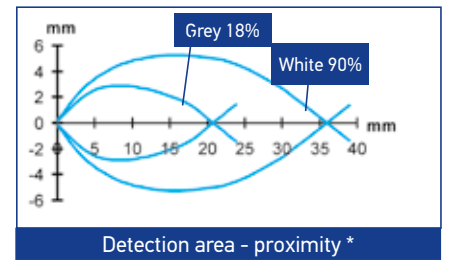
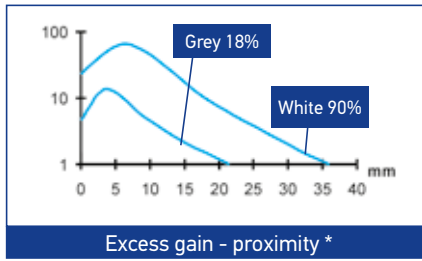
## FIBER OPTIC (E) RED EMISSION



Operating distance with standard fibers

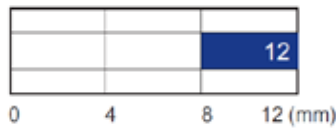
Standard Fiber-optics:  
OF-42-ST-20 proximity  
OF-43-ST-20 through beam

High efficiency fiber-optics or accessory lenses can be used to obtain larger operating distances.

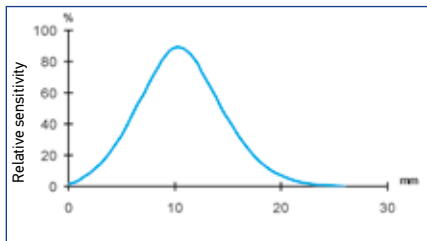


\* standard Fiber-optics

## MARK READER (W) WHITE EMISSION



Operating distance

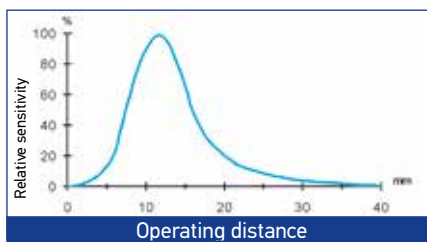


Operating distance

## LUMINESCENCE (U) UV EMISSION



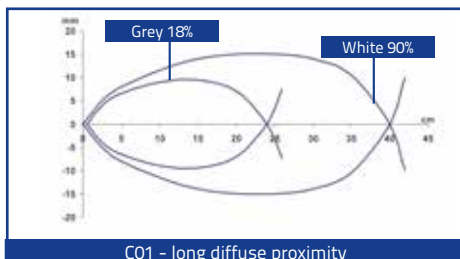
Operating distance



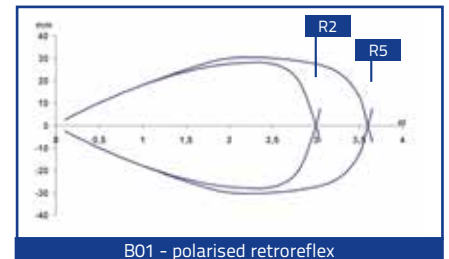
Operating distance

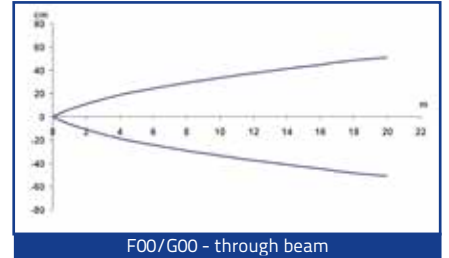
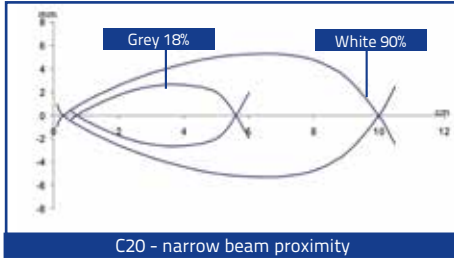
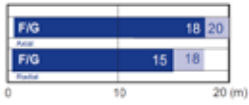
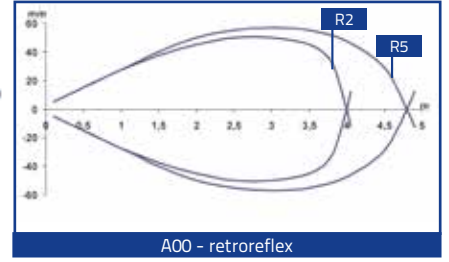
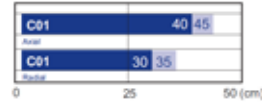
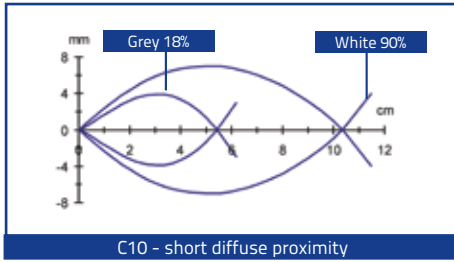
## S5N...PK/NK MODELS

A00	3,5	4
A00	4	4,5
A00	2,5	3
A00	3	3,5



C10/C20	10
C10	8

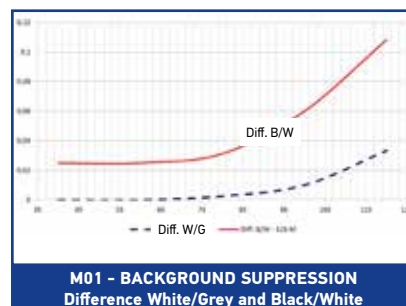
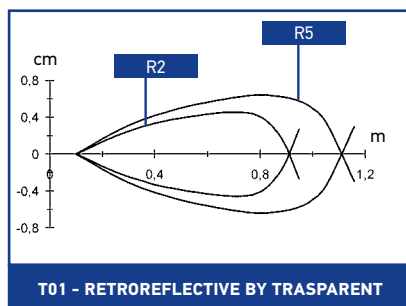
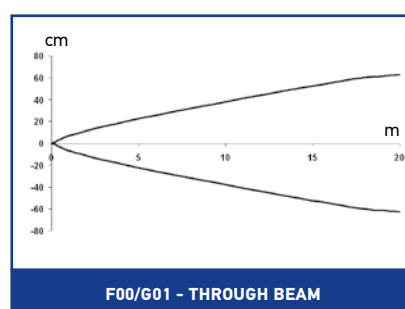
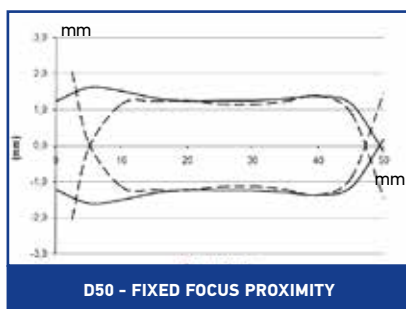
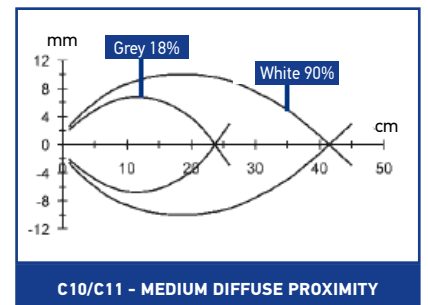
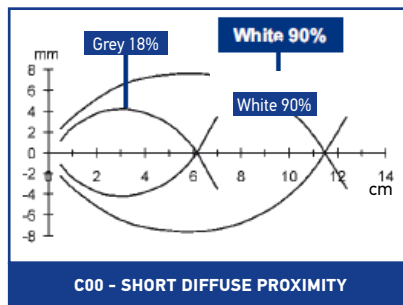
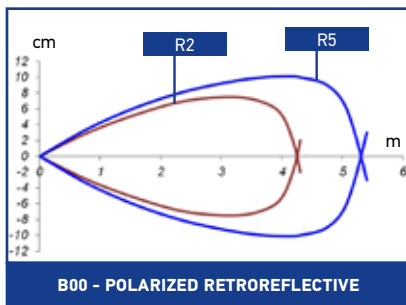




**Note:** the diagrams indicate the detection area typical of the axial optic versions; the maximum operating distance of the radial optic versions decreases as indicated in the tables given below

Recommended operating distance  
Maximum operating distance



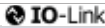
### S5N-SA/NA MODELS



# MODEL SELECTION AND ORDER INFORMATION

S5N - STANDARD PLASTIC HOUSING - NO/NC STANDARD OUTPUT & IO-LINK MODELS (S5N-PA...PP/NN/OZ)						
OPTIC FUNCTION	EMISSION	CONNECTION	OUTPUT	MODEL	ORDER NO.	
Retroreflective	LED, Axial optic	2m Cable	NPN	S5N-PA-2-A00-NN	952002091	
			PNP	S5N-PA-2-A00-PP	952002081	
		M12 Connector	NPN	S5N-PA-5-A00-NN	952002111	
			PNP	S5N-PA-5-A00-PP	952002101	
Polarized retroreflective	LED, Axial optic	2m Cable	NPN	S5N-PA-2-B01-NN	952001611	
			PNP	S5N-PA-2-B01-PP	952001011	
		M12 Connector	NPN	S5N-PA-5-B01-NN	952001501	
			PNP	S5N-PA-5-B01-PP	952001021	
	LED, Radial optic	2m Cable	NPN	S5N-PR-2-B01-NN	952001781	
			PNP	S5N-PR-2-B01-PP	952001031	
		M12 Connector	NPN	S5N-PR-5-B01-NN	952001721	
			PNP	S5N-PR-5-B01-PP	952001041	
	LASER, Axial optic	2m Cable	NPN	S5N-PL-2-B01-NN	952001871	
			PNP	S5N-PL-2-B01-PP	952001361	
		M12 Connector	NPN	S5N-PL-5-B01-NN	952001841	
			PNP	S5N-PL-5-B01-PP	952001371	
LASER, Radial optic	2m Cable	IO-Link	S5N-PL-5-B01-OZ	952002250		
		NPN	S5N-PH-2-B01-NN	952001951		
	M12 Connector	PNP	S5N-PH-2-B01-PP	952001941		
		NPN	S5N-PH-5-B01-NN	952001971		
Long Diffuse proximity	LED, Axial optic	2m Cable	NPN	S5N-PA-2-C01-NN	952001621	
			PNP	S5N-PA-2-C01-PP	952001051	
		M12 Connector	NPN	S5N-PA-5-C01-NN	952001511	
			PNP	S5N-PA-5-C01-PP	952001061	
	LED, Radial optic	2m Cable	IO-Link	S5N-PA-5-C01-OZ	952002210	
			NPN	S5N-PR-2-C01-NN	952001791	
		M12 Connector	PNP	S5N-PR-2-C01-PP	952001071	
			NPN	S5N-PR-5-C01-NN	952001731	
	LASER, Axial optic	2m Cable	PNP	S5N-PR-5-C01-PP	952001081	
			NPN	S5N-PL-2-C01-NN	952001881	
		M12 Connector	PNP	S5N-PL-2-C01-PP	952001381	
			NPN	S5N-PL-5-C01-NN	952001851	
LASER, Radial optic	2m Cable	PNP	S5N-PL-5-C01-PP	952001391		
		IO-Link	S5N-PL-5-C01-OZ	952002260		
	M12 Connector	NPN	S5N-PH-2-C01-NN	952001991		
		PNP	S5N-PH-2-C01-PP	952001981		
Short Diffuse proximity	LED, Axial optic	2m Cable	NPN	S5N-PA-2-C10-NN	952001631	
			PNP	S5N-PA-2-C10-PP	952001241	
		M12 Connector	NPN	S5N-PA-5-C10-NN	952001521	
			PNP	S5N-PA-5-C10-PP	952001251	
	LED, Radial optic	2m Cable	NPN	S5N-PR-2-C10-NN	952001801	
			PNP	S5N-PR-2-C10-PP	952001491	
		M12 Connector	NPN	S5N-PR-5-C10-NN	952001741	
			PNP	S5N-PR-5-C10-PP	952001481	
	Medium Diffuse proximity	LED, Axial optic	2m Cable	NPN	S5N-PA-2-C21-NN	952002171
			PNP	S5N-PA-2-C21-PP	952002161	
			M12 Connector	NPN	S5N-PA-5-C21-NN	952002191
		LED, Radial optic	2m Cable	PNP	S5N-PA-5-C21-PP	952002181
2m Cable			NPN	S5N-PA-2-D00-NN	952001641	
M12 Connector			PNP	S5N-PA-2-D00-PP	952001091	
Fixed focus	LED, Axial optic	2m Cable	NPN	S5N-PA-5-D00-NN	952001531	
			PNP	S5N-PA-5-D00-PP	952001101	
		M12 Connector	NPN	S5N-PR-2-D00-NN	952001811	
	LED, Radial optic	2m Cable	PNP	S5N-PR-2-D00-PP	952001111	
			NPN	S5N-PR-5-D00-NN	952001751	
		M12 Connector	PNP	S5N-PR-5-D00-PP	952001121	
Fiber optic	LED, Axial optic	2m Cable	NPN	S5N-PA-2-E01-NN	952001651	
		PNP	S5N-PA-2-E01-PP	952001131		
	M12 Connector	NPN	S5N-PA-5-E01-NN	952001541		
		PNP	S5N-PA-5-E01-PP	952001141		
Through beam receiver	LED, Axial optic	2m Cable	NPN	S5N-PA-2-F01-NN	952001661	
			PNP	S5N-PA-2-F01-PP	952001151	
	M12 Connector	NPN	S5N-PA-5-F01-NN	952001551		
		PNP	S5N-PA-5-F01-PP	952001161		
Through beam receiver	LED, Radial optic	2m Cable	NPN	S5N-PR-2-F01-NN	952001821	
			PNP	S5N-PR-2-F01-PP	952001171	
		M12 Connector	NPN	S5N-PR-5-F01-NN	952001761	
			PNP	S5N-PR-5-F01-PP	952001181	
	LASER, Axial optic	2m Cable	NPN	S5N-PL-2-F01-NN	952001891	
			PNP	S5N-PL-2-F01-PP	952001401	
		M12 Connector	NPN	S5N-PL-5-F01-NN	952001861	
			PNP	S5N-PL-5-F01-PP	952001411	
	LASER, Radial optic	2m Cable	NPN	S5N-PH-2-F01-NN	952002031	
			PNP	S5N-PH-2-F01-PP	952002021	
		M12 Connector	NPN	S5N-PH-5-F01-NN	952002051	
			PNP	S5N-PH-5-F01-PP	952002041	
Through beam emitter	LED, Axial optic	2m Cable	-	S5N-PA-2-G00-XG	952001191	
		M12 Connector	-	S5N-PA-5-G00-XG	952001201	
	LED, Radial optic	2m Cable	-	S5N-PR-2-G00-XG	952001211	
		M12 Connector	-	S5N-PR-5-G00-XG	952001221	
	LASER, Axial optic	2m Cable	-	S5N-PL-2-G00-XG	952001421	
		M12 Connector	-	S5N-PL-5-G00-XG	952001431	
	LASER, Radial optic	2m Cable	-	S5N-PH-2-G00-XG	952002061	
		M12 Connector	-	S5N-PH-5-G00-XG	952002071	

S5N - STANDARD PLASTIC HOUSING - NO/NC STANDARD OUTPUT & IO-LINK MODELS (S5N-PA...PP/NN/OZ)

Background suppression	LED, Axial optic	2m Cable	NPN	S5N-PA-2-M03-NN	952001671
			PNP	S5N-PA-2-M03-PP	952001231
	M12 Connector		NPN	S5N-PA-5-M03-NN	952001561
			PNP	S5N-PA-5-M03-PP	952001001
Retroreflective for transparent	LED, Radial optic	M12 Connector	 IO-Link	S5N-PA-5-M03-OZ	952002230
				S5N-PS-5-M03-PP	952001931
		NPN	S5N-PS-5-M03-NN	952001921	
		PNP	S5N-PS-2-M03-PP	952001911	
		NPN	S5N-PS-2-M03-NN	952001901	
	LED, Axial optic	2m Cable	NPN	S5N-PA-2-T01-NN	952001691
			PNP	S5N-PA-2-T01-PP	952001261
		M12 Connector	NPN	S5N-PA-5-T01-NN	952001581
			PNP	S5N-PA-5-T01-PP	952001271
	Luminescence	LED, Radial optic	M12 Connector	 IO-Link	S5N-PA-5-T01-OZ
				S5N-PR-2-T01-NN	952001831
			PNP	S5N-PR-2-T01-PP	952001281
			NPN	S5N-PR-5-T01-NN	952001771
Contrast	LED, Axial optic	2m Cable	NPN	S5N-PA-2-U03-NN	952001701
			PNP	S5N-PA-2-U03-PP	952001301
		M12 Connector	NPN	S5N-PA-5-U03-NN	952001591
			PNP	S5N-PA-5-U03-PP	952001311
Retroreflective	LED, Axial optic	2m Cable	NPN	S5N-PA-2-W03-NN	952001711
			PNP	S5N-PA-2-W03-PP	952001321
		M12 Connector	NPN	S5N-PA-5-W03-NN	952001601
			PNP	S5N-PA-5-W03-PP	952001331
		 IO-Link	S5N-PA-5-W03-OZ	952002240	

S5N - STANDARD PLASTIC HOUSING - L/D INPUT MODELS (S5N-PA...PK/NK)

Retroreflective	LED, Axial optic	2m Cable	NPN	S5N-PA-2-A00-NK	952701072
			PNP	S5N-PA-2-A00-PK	952701002
	M12 Connector		NPN	S5N-PA-5-A00-NK	952701332
			PNP	S5N-PA-5-A00-PK	952701262
Polarized retroreflective	LED, Radial optic	2m Cable	NPN	S5N-PR-2-A00-NK	952701202
			PNP	S5N-PR-2-A00-PK	952701132
	M12 Connector		PNP	S5N-PR-5-A00-PK	952701392
				NPN	S5N-PA-2-B01-NK
Diffuse proximity	LED, Axial optic	2m Cable	PNP	S5N-PA-2-B01-PK	952701012
			NPN	S5N-PA-5-B01-NK	952701342
	M12 Connector		PNP	S5N-PA-5-B01-PK	952701272
				NPN	S5N-PR-2-B01-NK
Short Diffuse proximity	LED, Radial optic	2m Cable	PNP	S5N-PR-2-B01-PK	952701142
			PNP	S5N-PR-5-B01-PK	952701402
	M12 Connector		NPN	S5N-PA-2-C01-NK	952701092
			PNP	S5N-PA-2-C01-PK	952701022
Through beam receiver	LED, Axial optic	2m Cable	NPN	S5N-PA-5-C01-NK	952701352
			PNP	S5N-PA-5-C01-PK	952701282
	M12 Connector		NPN	S5N-PR-2-C01-NK	952701222
			PNP	S5N-PR-2-C01-PK	952701152
Through beam emitter	LED, Radial optic	2m Cable	PNP	S5N-PR-5-C01-PK	952701412
			NPN	S5N-PA-2-C10-NK	952701102
	M12 Connector		PNP	S5N-PA-2-C10-PK	952701032
			NPN	S5N-PA-5-C10-NK	952701362
Through beam receiver	LED, Axial optic	2m Cable	PNP	S5N-PA-5-C10-PK	952701292
			NPN	S5N-PR-2-C10-NK	952701232
	M12 Connector		PNP	S5N-PR-2-C10-PK	952701162
			PNP	S5N-PR-5-C10-PK	952701422
Through beam emitter	LED, Axial optic	2m Cable	NPN	S5N-PA-2-F00-NK	952701122
			NPN	S5N-PA-5-F00-NK	952701382
	M12 Connector		PNP	S5N-PA-5-F00-PK	952701312
			PNP	S5N-PR-5-F00-PK	952701442
Through beam emitter	LED, Radial optic	2m Cable	-	S5N-PA-2-G00-XG	952001191
			-	S5N-PA-5-G00-XG	952001201
	M12 Connector		-	S5N-PR-2-G00-XG	952001211
			-	S5N-PR-5-G00-XG	952001221
Background suppression	LASER, Axial optic	2m Cable	-	S5N-PL-2-G00-XG	952001421
			-	S5N-PL-5-G00-XG	952001431
	M12 Connector		-	S5N-PH-2-G00-XG	952002061
			-	S5N-PH-5-G00-XG	952002071

S5N - SHORT PLASTIC HOUSING - L/D INPUT MODELS (S5N-SA...)


Polarized retroreflective	LED, Axial optic	2m Cable	NPN	S5N-SA-2-B00-NK	952301062	
			PNP	S5N-SA-2-B00-PK	952301012	
Diffuse proximity		Pig Tail M12		PNP	S5N-SA-3-B00-PK	952301122
				NPN	S5N-SA-2-C00-NK	952301072
Short Diffuse proximity Fixed Focus		2m Cable		PNP	S5N-SA-2-C00-PK	952301022
				PNP	S5N-SA-3-C00-PK	952301132
Through beam receiver		Pig Tail M12		PNP	S5N-SA-3-C10-PK	952301142
				NPN	S5N-SA-3-D50-PK	952301541
Through beam emitter				PNP	S5N-SA-3-F00-PK	952301152
				-	S5N-SA-3-G00-XG	952301212
Background suppression	M12 Connector		NPN	S5N-SA-5-M01-NK	952301351	
			PNP	S5N-SA-5-M01-PK	952301271	
Retroreflective for transparent			PNP	S5N-SA-5-T01-PK	952301241	
			NPN	S5N-SA-5-T01-NK	952301321	



S5N - METAL HOUSING - NO/NC STANDARD OUTPUT & IO-LINK MODELS (S5N-MA...PP/NN/OZ)

Retroreflective	LED, Axial optic	2m Cable	NPN	S5N-MA-2-A00-NN	952022091
		M12 Connector	PNP	S5N-MA-2-A00-PP	952022081
			NPN	S5N-MA-5-A00-NN	952022111
		M12 Connector	PNP	S5N-MA-5-A00-PP	952022101
LED, Radial optic	2m Cable		NPN	S5N-MA-2-B01-NN	952021501
	M12 Connector	PNP	S5N-MA-2-B01-PP	952021001	
		NPN	S5N-MA-5-B01-NN	952021661	
	M12 Connector	PNP	S5N-MA-5-B01-PP	952021201	
LASER, Axial optic		2m Cable	IO-Link	S5N-MA-5-B01-OZ	952022160
	M12 Connector	NPN	S5N-MR-2-B01-NN	952021601	
M12 Connector		PNP	S5N-MR-2-B01-PP	952021141	
	LASER, Radial optic	NPN	S5N-MR-5-B01-NN	952021761	
M12 Connector		PNP	S5N-MR-5-B01-PP	952021341	
	LASER, Axial optic	2m Cable	NPN	S5N-ML-2-B01-NN	952021821
M12 Connector		PNP	S5N-ML-2-B01-PP	952021401	
		NPN	S5N-ML-5-B01-NN	952021851	
M12 Connector		PNP	S5N-ML-5-B01-PP	952021441	
	LASER, Radial optic	IO-Link	S5N-ML-5-B01-OZ	952022180	
M12 Connector		NPN	S5N-MH-2-B01-NN	952021951	
	M12 Connector	PNP	S5N-MH-2-B01-PP	952021941	
LASER, Axial optic		NPN	S5N-MH-5-B01-NN	952021971	
	M12 Connector	PNP	S5N-MH-5-B01-PP	952021961	
LED, Axial optic		2m Cable	NPN	S5N-MA-2-C01-NN	952021511
	M12 Connector	PNP	S5N-MA-2-C01-PP	952021011	
		NPN	S5N-MA-5-C01-NN	952021671	
	M12 Connector	PNP	S5N-MA-5-C01-PP	952021211	
LED, Radial optic		IO-Link	S5N-MA-5-C01-OZ	952022200	
	M12 Connector	NPN	S5N-MR-2-C01-NN	952021611	
M12 Connector		PNP	S5N-MR-2-C01-PP	952021151	
	LASER, Axial optic	NPN	S5N-MR-5-C01-NN	952021771	
M12 Connector		PNP	S5N-MR-5-C01-PP	952021351	
	LASER, Radial optic	2m Cable	NPN	S5N-ML-2-C01-NN	952021831
M12 Connector		PNP	S5N-ML-2-C01-PP	952021411	
		NPN	S5N-ML-5-C01-NN	952021861	
M12 Connector		PNP	S5N-ML-5-C01-PP	952021451	
	LASER, Axial optic	IO-Link	S5N-ML-5-C01-OZ	952022190	
M12 Connector		NPN	S5N-MH-2-C01-NN	952021991	
	M12 Connector	PNP	S5N-MH-2-C01-PP	952021981	
LASER, Radial optic		NPN	S5N-MH-5-C01-NN	952022011	
	M12 Connector	PNP	S5N-MH-5-C01-PP	952022001	
LED, Axial optic		2m Cable	NPN	S5N-MA-2-C10-NN	952021521
	M12 Connector	PNP	S5N-MA-2-C10-PP	952021021	
		NPN	S5N-MA-5-C10-NN	952021681	
	M12 Connector	PNP	S5N-MA-5-C10-PP	952021221	
LED, Radial optic		NPN	S5N-MR-2-C10-NN	952021621	
	M12 Connector	PNP	S5N-MR-2-C10-PP	952021491	
M12 Connector		NPN	S5N-MR-5-C10-NN	952021781	
	M12 Connector	PNP	S5N-MR-5-C10-PP	952021481	
Medium Diffuse proximity		2m Cable	NPN	S5N-MA-2-C21-NN	952022131
	M12 Connector	PNP	S5N-MA-2-C21-PP	952022121	
		NPN	S5N-MA-5-C21-NN	952022151	
	M12 Connector	PNP	S5N-MA-5-C21-PP	952022141	
Fixed focus		2m Cable	NPN	S5N-MA-2-D00-NN	952021531
	M12 Connector	PNP	S5N-MA-2-D00-PP	952021031	
M12 Connector		NPN	S5N-MA-5-D00-NN	952021691	
	M12 Connector	PNP	S5N-MA-5-D00-PP	952021231	
LED, Radial optic		2m Cable	NPN	S5N-MR-2-D00-NN	952021631
	M12 Connector	PNP	S5N-MR-2-D00-PP	952021161	
		NPN	S5N-MR-5-D00-NN	952021791	
	M12 Connector	PNP	S5N-MR-5-D00-PP	952021361	
LED, Axial optic		2m Cable	NPN	S5N-MA-2-E01-NN	952021881
	M12 Connector	PNP	S5N-MA-2-E01-PP	952021041	
		NPN	S5N-MA-5-E01-NN	952021891	
	M12 Connector	PNP	S5N-MA-5-E01-PP	952021241	
LED, Radial optic		2m Cable	NPN	S5N-MA-2-F01-NN	952021541
	M12 Connector	PNP	S5N-MA-2-F01-PP	952021051	
		NPN	S5N-MA-5-F01-NN	952021701	
	M12 Connector	PNP	S5N-MA-5-F01-PP	952021251	
LASER, Axial optic		2m Cable	NPN	S5N-MR-2-F01-NN	952021641
	M12 Connector	PNP	S5N-MR-2-F01-PP	952021171	
M12 Connector		NPN	S5N-MR-5-F01-NN	952021801	
	M12 Connector	PNP	S5N-MR-5-F01-PP	952021371	
LASER, Radial optic		2m Cable	NPN	S5N-ML-2-F01-NN	952021841
	M12 Connector	PNP	S5N-ML-2-F01-PP	952021421	
		NPN	S5N-ML-5-F01-NN	952021871	
	M12 Connector	PNP	S5N-ML-5-F01-PP	952021461	
Through beam receiver		2m Cable	NPN	S5N-MH-2-F01-NN	952022031
	M12 Connector	PNP	S5N-MH-2-F01-PP	952022021	
M12 Connector		NPN	S5N-MH-5-F01-NN	952022051	
	M12 Connector	PNP	S5N-MH-5-F01-PP	952022041	

S5N - METAL HOUSING - NO/NC STANDARD OUTPUT & IO-LINK MODELS (S5N-MA...PP/NN/OZ)

Through beam emitter	LED, Axial optic	2m Cable	-	S5N-MA-2-G00-XG	952021061
		M12 Connector	-	S5N-MA-5-G00-XG	952021261
	LED, Radial optic	2m Cable	-	S5N-MR-2-G00-XG	952021181
		M12 Connector	-	S5N-MR-5-G00-XG	952021381
	LASER, Axial optic	2m Cable	-	S5N-ML-2-G00-XG	952021431
		M12 Connector	-	S5N-ML-5-G00-XG	952021471
LASER, Radial optic	2m Cable	-	S5N-MH-2-G00-XG	952022061	
	M12 Connector	-	S5N-MH-5-G00-XG	952022071	
Background suppression	LED, Axial optic	2m Cable	NPN	S5N-MA-2-M03-NN	952021551
Background suppression			M12 Connector	PNP	S5N-MA-2-M03-PP
	LED, Radial optic	M12 Connector		PNP	S5N-MA-5-M03-PP
LED, Axial optic			2m Cable	 IO-Link	S5N-MA-5-M03-OZ
	LED, Radial optic	M12 Connector		PNP	S5N-MS-5-M03-PP
LED, Axial optic			2m Cable	PNP	S5N-MS-2-M03-PP
	LED, Axial optic	M12 Connector		NPN	S5N-MA-2-T01-NN
LED, Radial optic			M12 Connector	PNP	S5N-MA-2-T01-PP
	LED, Axial optic	2m Cable		NPN	S5N-MA-5-T01-NN
LED, Radial optic			M12 Connector	PNP	S5N-MA-5-T01-PP
	LED, Axial optic	2m Cable		NPN	S5N-MR-2-T01-NN
LED, Radial optic			M12 Connector	PNP	S5N-MR-2-T01-PP
	LED, Axial optic	2m Cable		NPN	S5N-MR-5-T01-NN
LED, Radial optic			M12 Connector	PNP	S5N-MR-5-T01-PP
	Luminescence	LED, Axial optic		M12 Connector	PNP
Contrast	LED, Axial optic		2m Cable	PNP	S5N-MA-2-W03-PP
		M12 Connector	NPN	S5N-MA-5-W03-NN	952021751
		M12 Connector	PNP	S5N-MA-5-W03-PP	952021311

S5N - METAL HOUSING - L/D INPUT MODELS MODELS (S5N-MA...PK/NK)

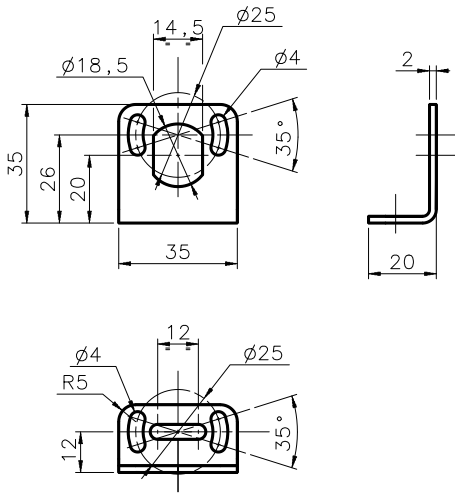
Retroreflective		M12 Connector	NPN	S5N-MA-5-A00-NK	952701802
			PNP	S5N-MA-5-A00-PK	952701532
Polarized retroreflective		M12 Connector	NPN	S5N-MA-5-B01-NK	952701812
			PNP	S5N-MA-5-B01-PK	952701762
Diffuse proximity	LED, Axial optic	2m Cable	NPN	S5N-MA-2-C01-NK	952701622
			PNP	S5N-MA-2-C01-PK	952701562
		M12 Connector	NPN	S5N-MA-5-C01-NK	952701822
			PNP	S5N-MA-5-C01-PK	952701772
		2m Cable	NPN	S5N-MA-2-C10-NK	952701632
			PNP	S5N-MA-2-C10-PK	952701572
M12 Connector	NPN	S5N-MA-5-C10-NK	952701832		
	PNP	S5N-MA-5-C10-PK	952701522		
Through beam receiver		M12 Connector	NPN	S5N-MA-5-F00-NK	952701842
			PNP	S5N-MA-5-F00-PK	952701782
Through beam emitter	LED, Axial optic	2m Cable	-	S5N-MA-2-G00-XG	952021061
		M12 Connector	-	S5N-MA-5-G00-XG	952021261
	LED, Radial optic	2m Cable	-	S5N-MR-2-G00-XG	952021181
		M12 Connector	-	S5N-MR-5-G00-XG	952021381
	LED, Axial optic	2m Cable	-	S5N-ML-2-G00-XG	952021431
		M12 Connector	-	S5N-ML-5-G00-XG	952021471
	LED, Radial optic	2m Cable	-	S5N-MH-2-G00-XG	952022061
		M12 Connector	-	S5N-MH-5-G00-XG	952022071

S5N - INOX HOUSING - L/D INPUT MODELS MODELS (S5N-NA...)

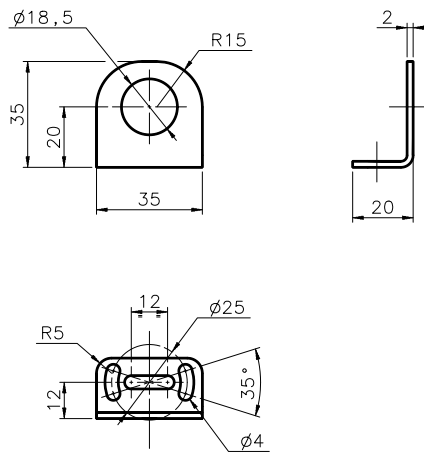
Polarized retroreflective		M12 Connector	NPN	S5N-NA-5-B01-NK	952301461
			PNP	S5N-NA-5-B01-PK	952301381
Diffuse proximity Inox		M12 Connector	NPN	S5N-NA-5-C11-NK	952301481
			PNP	S5N-NA-5-C11-PK	952301401
Through beam receiver Inox		M12 Connector	NPN	S5N-NA-5-F01-NK	952301511
Through beam emitter inox			PNP	S5N-NA-5-F01-PK	952301431
Background suppression inox		M12 Connector	-	S5N-NA-5-G01-XG	952301441
			NPN	S5N-NA-5-M01-NK	952301501
Retroreflective for transparent inox		M12 Connector	PNP	S5N-NA-5-M01-PK	952301421
			NPN	S5N-NA-5-T01-NK	952301471
		M12 Connector	PNP	S5N-NA-5-T01-PK	952301391

# ACCESSORIES

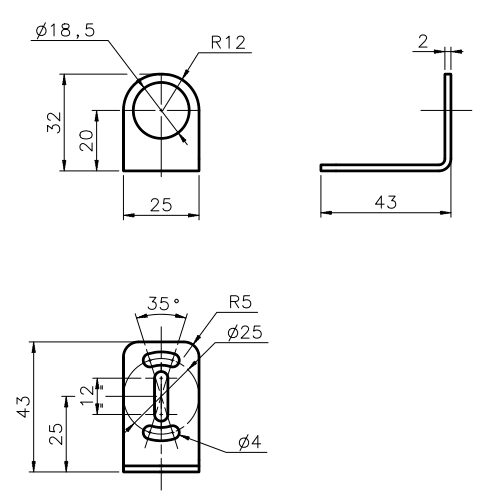
ST-5010



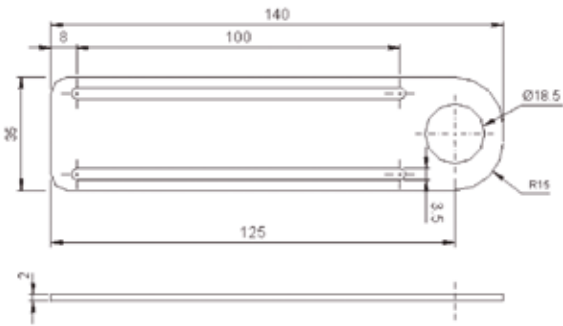
ST-5011



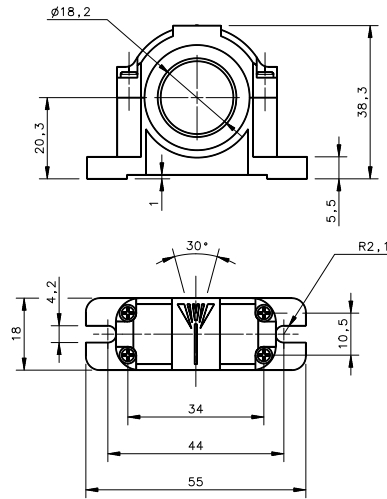
ST-5012



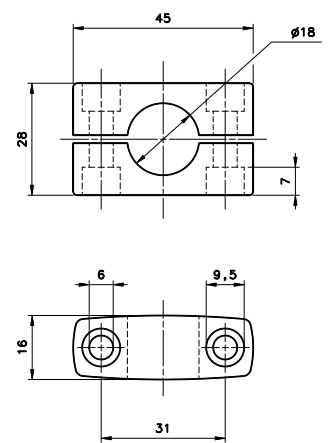
ST-5017



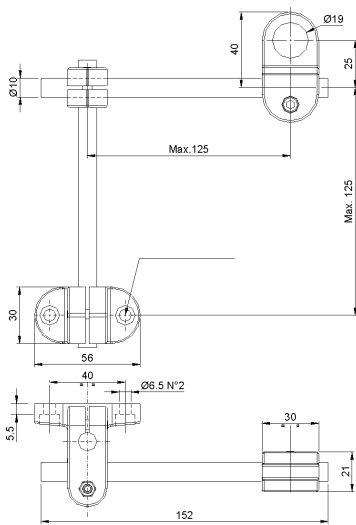
SWING-18



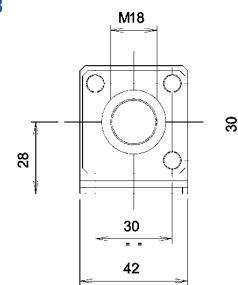
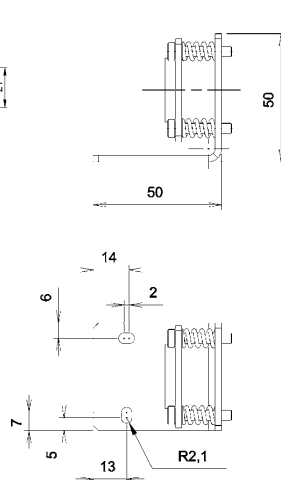
SP-40



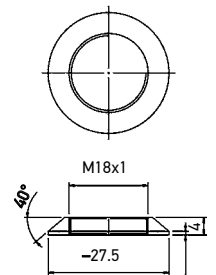
JOINT 18



MICRO 18



M18 FLARED PLASTIC NUT



mm

MODEL	DESCRIPTION	ORDER No.
ST-5010	M18/14 mounting bracket	95ACC5230
ST-5011	M18 mounting bracket short	95ACC5240
ST-5012	M18 mounting bracket long	95ACC5250
ST-5017	M18 mounting bracket	95ACC5270
S50 EASY -IN	M18/14 EASY in™ adjustable mounting support	95ACC 5300
JOINT -18	M18 jointed support	95ACC 5220
MICRO -18	support with micrometric regulation for tubular M18 sensors	95ACC 1380
SP-40	mounting bracket tubular	95ACC1370
SWING-18	adjustable support for M18 tubular sensors	895000006
PLASTIC NUT	flared mounting nut	95ACC2630
M18 FLARED NUT	S5N mounting nut M18 flared nut (1 pc)	95ACC2630
M18 METAL NUT	S5N mounting nut M18 nut (1 pc)	G602000017
M18 PLASTIC NUT KIT	S5N mounting nut M18 nuts kit (100 pcs)	G602000008
MEK -PROOF	front protection (only for metal models)	G5000001

## IO-LINK CONNECTIVITY

MODEL	DESCRIPTION	ORDER No.
CBX-8IOL-EIP	CBX-8IOL-EIP 8P IOL M12 EIP MASTER	95ACC8180
CBX-8IOL-PNIO	CBX-8IOL-PNIO 8P IOL M12 PROFINET MASTER	95ACC8190

## CABLES

TYPE	DESCRIPTION	LENGTH	MODEL	ORDER No.
Axial M12 Connector	4-pole, grey, P.V.C.	3 m	CS-A1-02-G-03	95A251380
		5 m	CS-A1-02-G-05	95A251270
		7 m	CS-A1-02-G-07	95A251280
		10 m	CS-A1-02-G-10	95A251390
	4-pole, P.U.R.	2 m	CS-A1-02-R-02	95A251540
		5 m	CS-A1-02-R-05	95A251560
Radial M12 Connector	4-pole, grey, P.V.C.	3 m	CS-A2-02-G-03	95A251360
		5 m	CS-A2-02-G-05	95A251240
		7 m	CS-A2-02-G-07	95A251245
		10 m	CS-A2-02-G-10	95A251260
	4-pole, P.U.R.	2 m	CS-A2-02-R-02	95A251550
		5 m	CS-A2-02-R-05	95A251570
Radial M12 Connector with LED (for PNP N.O. sensors)	4-pole, grey, P.V.C.	3 m	CS-A2-12-G-03	95A251400
		5 m	CS-A2-12-G-05	95A251350
		10 m	CS-A2-12-G-10	95A251370
Axial M12 Connector	4-pole, shielded, black, P.V.C.	3 m	CV-A1-22-B-03	95ACC1480
		5 m	CV-A1-22-B-05	95ACC1490
		10 m	CV-A1-22-B-10	95ACC1500
		15 m	CV-A1-22-B-15	95ACC2070
		25 m	CV-A1-22-B-25	95ACC2090
Radial M12 Connector	4-pole, shielded, black, P.V.C.	3 m	CV-A2-22-B-03	95ACC1540
		5 m	CV-A2-22-B-05	95ACC1550
		10 m	CV-A2-22-B-10	95ACC1560
Axial M12 Connector	4-pole, U.L., black, P.V.C.	3 m	CS-A1-02-U-03	95ASE1120
		5 m	CS-A1-02-U-05	95ASE1130
		10 m	CS-A1-02-U-10	95ASE1140
		15 m	CS-A1-02-U-15	95ASE1150
		25 m	CS-A1-02-U-25	95ASE1160
	4-pole, black	Connector- not cabled	CS-A1-02-B-NC	G5085002
Radial M12 Connector	4-pole, black	Connector- not cabled	CS-A2-02-B-NC	G5085003
Axial M12 Connector	5-pole, L coded power cable	3 m	CS-M1-02-B-03	95ACC0007
Axial M12 F/M12 M Connector	4-pole, double headed	3 m	CS-I1-02-B-03	95ACC0009

00,11/2021

## DATALOGIC PRODUCT OFFERING



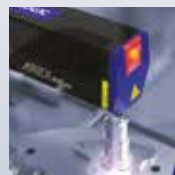
Sensors



Hand Held scanners



Mobile Computers



Laser Marking Systems



Safety Laser Scanner



Vision Systems



Stationary Industrial Scanners



Safety Light Curtains